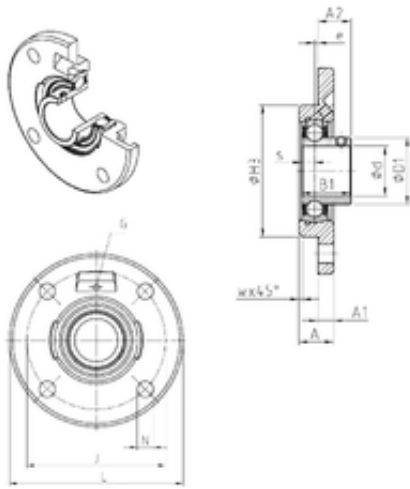




RRK rolamento CORP.



SNR USFCE208 unit é s de roulement

Bearing No. USFCE208

Bore Diameter	40 mm
d	40 mm
H3	100 mm
e	1 mm
s	9 mm
A	23 mm
A1	11,5 mm
B1	34 mm
D1	53 mm
J	120 mm
L	145 mm
N	11,5 mm
W	2 mm
Thread (G)	M6x1
A2	24 mm
Weight	1,6 Kg
Basic dynamic load rating (C)	29,6 kN

USFCE208 Bearing 2D drawings and 3D CAD models