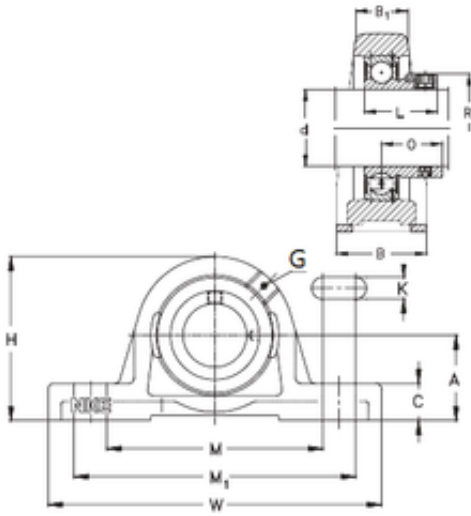




RRK rolamento CORP.

NKE RSAO35-N unit é s de roulement

Bearing No. RSAO35-N



RSAO35-N Bearing 2D drawings and 3D CAD models

Bore Diameter	35 mm
Width	56 mm
d	35 mm
O	33,4 mm
A	56 mm
B	56 mm
B1	30 mm
C	20 mm
H	106 mm
K	17,5 mm
L	51,6 mm
M	152 mm
M1	168 mm
R	55 mm
W	210 mm
Thread (G)	R1/8 "