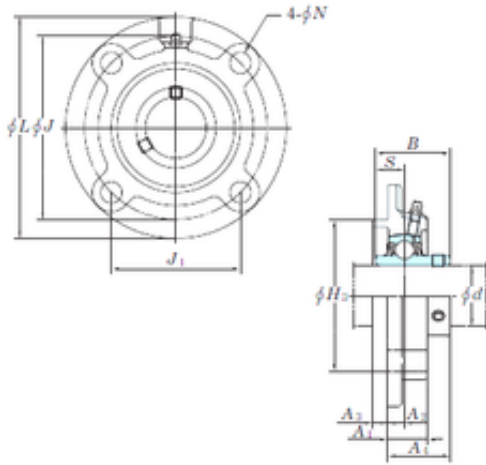




RRK rolamento CORP.

KOYO UCFC207-20 unit é s de roulement



Bearing No. UCFC207-20

Bore Diameter	31.75 mm
d	31.75 mm
H3	90 mm
A4	36,4 mm
A1	26 mm
B	42,9 mm
J	110 mm
L	135 mm
N	14 mm
S	17,5 mm
Bolt (G)	M12
A2	11 mm
A3	8 mm
J1	77,8 mm
Weight	1,7 Kg
Basic dynamic load rating (C)	25,7 kN
Basic static load rating (C0)	15,4 kN

UCFC207-20 Bearing 2D drawings and 3D CAD models