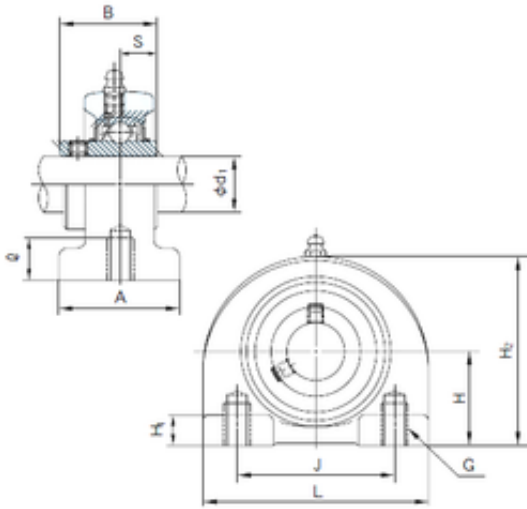




RRK rolamento CORP.

NACHI UCPA210 unit é s de roulement

Bearing No. UCPA210



UCPA210 Bearing 2D drawings and 3D CAD models

Bore Diameter	50 mm
Width	51.6 mm
d	50 mm
A	60 mm
B	51.6 mm
H	57.2 mm
H1	14 mm
H2	116 mm
J	94 mm
L	130 mm
S	19 mm
	25 Tolerance h14
Thread (G)	M16 × 2